

Double skin passive cabinets

Double skin Cabinet 19" 23U 1350x810x410

Contact

Sales contact
contact.telecominfra@nexans.com

Nexans Ref.: 10236501

EAN 13: 3444360206202

Double skin aluminium cabinet sizes (mm) 1350x810x410 with single front door equipped with 19" rack capacity 23U.

DESCRIPTION

Outdoor double skin metallic cabinets are a modular solution for cross-connect cabinet. They are optimized for street use for passive FTTH configurations point to point or PON with integration of splitters or active configurations like FTTC.

Compared to other outdoor cabinets solutions, outdoor double skin metallic cabinets are the best choice for customization and modularity. All the parts of the cabinet are removable to ease installation, for maintenance or future extension. Design is adapted to all configurations passive or active. These cabinets are built with aluminium profiles and elements to create a double skin or double wall structure. This structure allows a natural air circulation inside walls which promotes cooling of the cabinet and the absorption of solar radiation.

Outdoor double skin metallic passive cabinets are equipped with 1 to 5 racks with format 19" compatible with all types of optical modules (swiveling type), with a area behind the modules for clamping, fan-out of cables and management of fiber and with a coiling area for patchcords overlength management .

Depending on the need, the range is available in various heights up to 1600mm (with plinth of 200mm included), a standard depth of 410 mm and a width of 810mm (1 door) or 1560mm (2 doors). Specific sizes are available on demand.

Main characteristics

- Material : Aluminium profiles and elements, accessories (screws, nuts, hinges, ...) in stainless steel
- Color : Standard light grey RAL 7035, option with full choice of paint with anti-graffiti effect
- Protection : IP55/IK10, with operating temperature from -40 to +65°C (category A)
- Door(s) : 120° opening, handle with locking system 3 points and lock (triangle 8mm)
- Fixing : On concrete slab with screws (not provided) or by using fixing frame

Cabling

Fiber optic cables entry is performed by the plinth. Cables clamping and fanout is also made in lower part on each cabinet. Management of tubes or cables to modules is made on the bottom plate of the rack behind the modules.



STANDARDS

International IEC 61753-1



IK
10



Watertightness
IP 55



Operating temp.
-40 - 65 °C



U.V resistance
Yes

All drawings, designs, specifications, plans and particulars of weights, size and dimensions contained in the technical or commercial documentation of Nexans is indicative only and shall not be binding on Nexans or be treated as constituting a representation on the part of Nexans.

Generated 10/23/21 www.nexans.fr Page 1 / 9

Double skin passive cabinets

Double skin Cabinet 19" 23U 1350x810x410

Contact

Sales contact
contact.telecominfra@nexans.com

CHARACTERISTICS

Construction characteristics

Material	Aluminium
Cabinet format	19"
Fiber optic type	SM (G.652D)

Dimensional characteristics

Height	1350 mm
Width	810 mm
Depth	410 mm

Mechanical characteristics

IK Rating	10
-----------	----

Usage characteristics

Watertightness	IP 55
Operating temperature, range	-40 - 65 °C
Locking system	Triangle
U.V resistance	Yes
Field of application	Indoor, Outdoor

DOUBLE SKIN CABINET SINGLE DOOR STANDARD COMPOSITION

- A plinth height 200mm
- A removable roof from outside with lifting eyes
- A 19" rack on the right position
- A coiling area for patchcords overlength management on left position
- A fixing plate for clamping or fanout systems
- A bottom plate allowing management of tubes and cables behind the optical modules with rings (provided)
- A hatch to access into the plinth
- A door with automatic holding system (right 120° opening)
- Openable side panels from inside
- A 3 points locking system with lock triangle 8mm
- A fixing kit for optical modules (50 cage nuts with screws and washers)

This composition can be modified depending of the expected configuration.



IK
10



Watertightness
IP 55



Operating temp.
-40 - 65 °C



U.V resistance
Yes

All drawings, designs, specifications, plans and particulars of weights, size and dimensions contained in the technical or commercial documentation of Nexans is indicative only and shall not be binding on Nexans or be treated as constituting a representation on the part of Nexans.

Generated 10/23/21 www.nexans.fr Page 2 / 9

Double skin passive cabinets

Double skin Cabinet 19" 23U 1350x810x410

Contact

Sales contact

contact.telecominfra@nexans.com

DOUBLE SKIN CABINET DOUBLE DOORS STANDARD COMPOSITION

- A plinth height 200mm
- A removable roof from outside with lifting eyes
- 2 19" racks on right and left positions
- A coiling area for patchcords overlength management in the middle
- A fixing plate for clamping or fanout systems for each rack
- A bottom plate allowing management of tubes and cables behind the optical modules with rings (provided) for each rack
- A hatch to access into the plinth for each rack
- 2 doors with automatic holding system (right 120° opening)
- Openable side panels from inside
- A 3 points locking system with lock triangle 8mm
- A fixing kit for optical modules (50 cage nuts with screws and washers)

This composition can be modified depending of the expected configuration.

A double face deeper version of this cabinet is also available with addition of 3 19" racks with communication with front part and accessible by 2 rear doors.



IK
10



Watertightness
IP 55



Operating temp.
-40 - 65 °C



U.V resistance
Yes

All drawings, designs, specifications, plans and particulars of weights, size and dimensions contained in the technical or commercial documentation of Nexans is indicative only and shall not be binding on Nexans or be treated as constituting a representation on the part of Nexans.

Generated 10/23/21 www.nexans.fr Page 3 / 9

Double skin passive cabinets

Double skin Cabinet 19" 23U 1350x810x410

Contact

Sales contact

contact.telecominfra@nexans.com

DOUBLE SKIN CABINET DOUBLE DOORS - FRONT VIEW



IK
10



Watertightness
IP 55



Operating temp.
-40 - 65 °C



U.V resistance
Yes

All drawings, designs, specifications, plans and particulars of weights, size and dimensions contained in the technical or commercial documentation of Nexans is indicative only and shall not be binding on Nexans or be treated as constituting a representation on the part of Nexans.

Generated 10/23/21 www.nexans.fr Page 4 / 9

Double skin passive cabinets

Double skin Cabinet 19" 23U 1350x810x410

Contact

Sales contact

contact.telecominfra@nexans.com

DOUBLE SKIN CABINET DOUBLE DOORS - REAR VIEW



ACCESSORY: FIXING FRAME

Nexans references

- **10238417** for cabinet base 750x350
- **10235652** for cabinet base 1500x350
- **10236502** for cabinet base 810x410
- **10238221** for cabinet base 1560x410
- **10234981** for cabinet base 1960x710



IK
10



Watertightness
IP 55



Operating temp.
-40 - 65 °C



U.V resistance
Yes

All drawings, designs, specifications, plans and particulars of weights, size and dimensions contained in the technical or commercial documentation of Nexans is indicative only and shall not be binding on Nexans or be treated as constituting a representation on the part of Nexans.

Generated 10/23/21 www.nexans.fr Page 5 / 9

Double skin passive cabinets

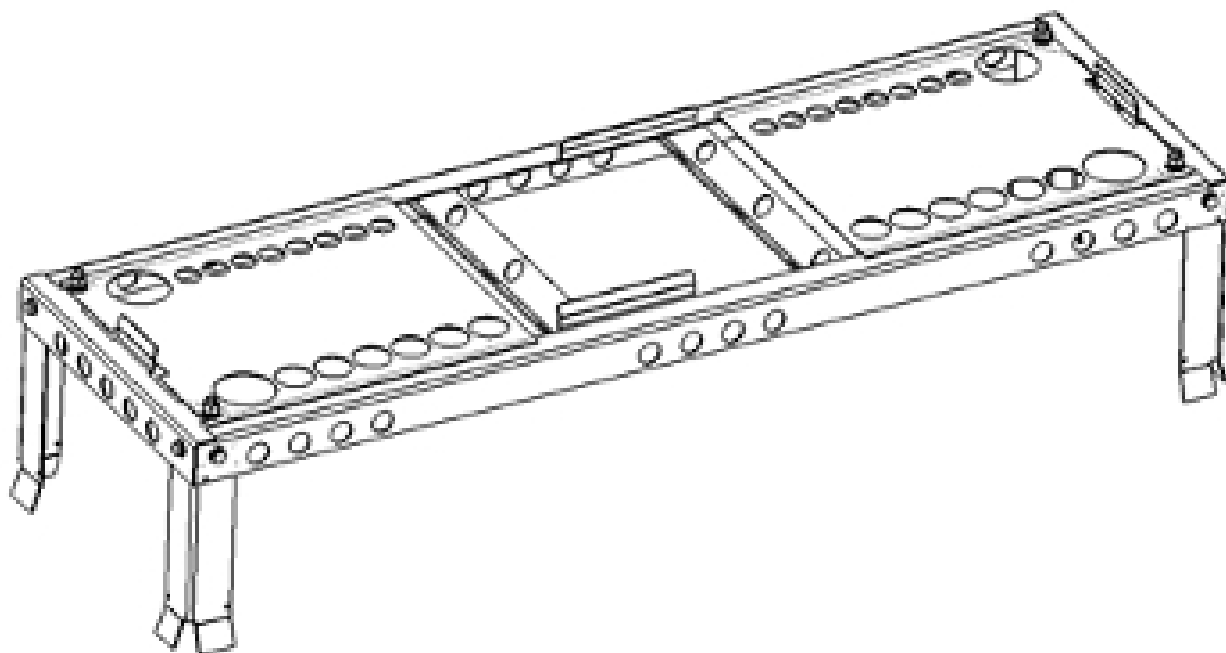
Double skin Cabinet 19" 23U 1350x810x410

Contact

Sales contact

contact.telecominfra@nexans.com

FIXING FRAME TO BE SEALED INTO CONCRETE SLAB TO FIX A METAL CABINET (6 POINTS)



IK
10



Watertightness
IP 55



Operating temp.
-40 - 65 °C



U.V resistance
Yes

All drawings, designs, specifications, plans and particulars of weights, size and dimensions contained in the technical or commercial documentation of Nexans is indicative only and shall not be binding on Nexans or be treated as constituting a representation on the part of Nexans.

Generated 10/23/21 www.nexans.fr Page 6 / 9

Double skin passive cabinets

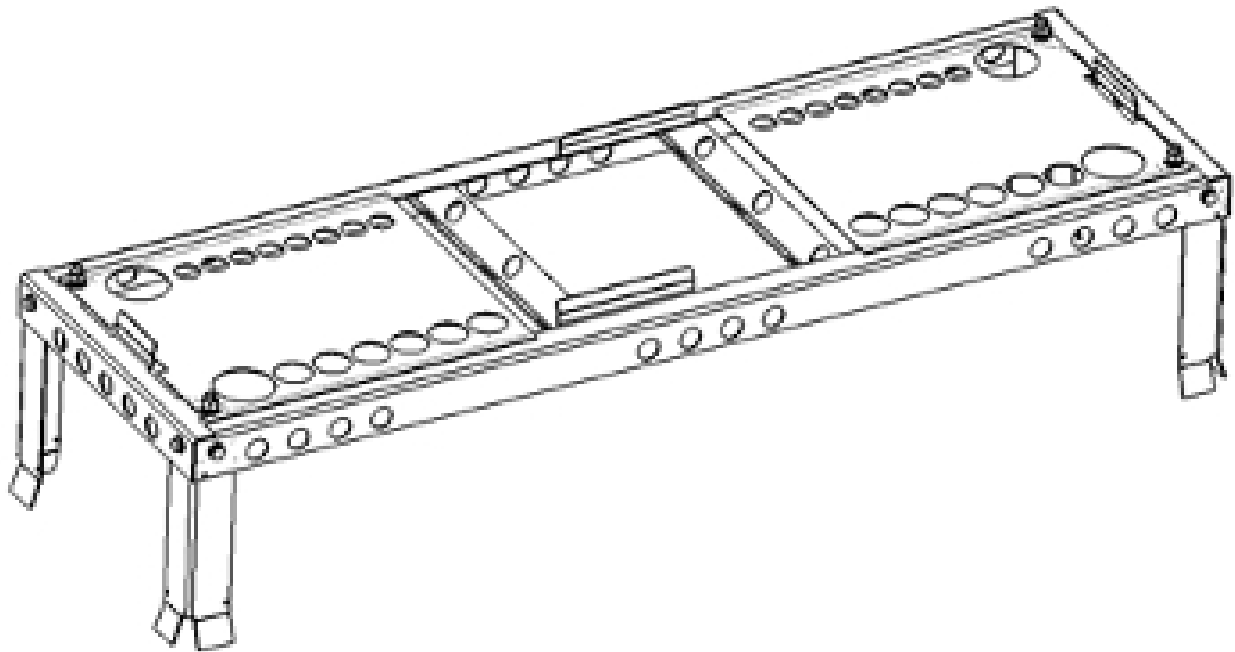
Double skin Cabinet 19" 23U 1350x810x410

Contact

Sales contact

contact.telecominfra@nexans.com

FIXING FRAME TO BE SEALED INTO CONCRETE SLAB TO FIX A METAL CABINET (4 POINTS)



OPTION: ANTI-GRAFFITI PAINT

Anti-graffiti paint means paint with some resistance to solvents to help cleaning of graffiti.

Cleaning process

Cleaning must be done as quick as possible because if impregnation of graffiti is too long, it should be not completely removed. Chosen cleaning agent must be tested on a small surface preferably not visible. Cleaning must be made with soft cloth in a short time and surface must be finally rinse with water.

Cleaning agents**

Recommended by manufacturer : P SCRIBEX 500 (Henkel), ARCANE US 226 (Arcaneige2:Gj2ndustries), SOCOSTRIP T4210P (Socomore), other usable commercial products : 90 ° alcohol, white spirit, acetone.

** It is essential to read the precautions for use of agents before use.



IK
10



Watertightness
IP 55



Operating temp.
-40 - 65 °C



U.V resistance
Yes

All drawings, designs, specifications, plans and particulars of weights, size and dimensions contained in the technical or commercial documentation of Nexans is indicative only and shall not be binding on Nexans or be treated as constituting a representation on the part of Nexans.

Generated 10/23/21 www.nexans.fr Page 7 / 9

Double skin passive cabinets

Double skin Cabinet 19" 23U 1350x810x410

Contact

Sales contact

contact.telecominfra@nexans.com

OPTION: CABINET EXTENSIONS

Double skin outdoor cabinets are future-proof solution because it is possible to extend easily a cabinet in 3 manners:

- Extension from side (no change on height and depth of cabinet)
- Extension from top (no change on base of cabinet)
- Extension with new housing (everything is possible)



IK
10



Watertightness
IP 55



Operating temp.
-40 - 65 °C



U.V resistance
Yes

All drawings, designs, specifications, plans and particulars of weights, size and dimensions contained in the technical or commercial documentation of Nexans is indicative only and shall not be binding on Nexans or be treated as constituting a representation on the part of Nexans.

Generated 10/23/21 www.nexans.fr Page 8 / 9

Double skin passive cabinets

Double skin Cabinet 19" 23U 1350x810x410

Contact

Sales contact

contact.telecominfra@nexans.com

EXAMPLE OF EXTENSION ON THE SIDE



IK
10



Watertightness
IP 55



Operating temp.
-40 - 65 °C



U.V resistance
Yes

All drawings, designs, specifications, plans and particulars of weights, size and dimensions contained in the technical or commercial documentation of Nexans is indicative only and shall not be binding on Nexans or be treated as constituting a representation on the part of Nexans.

Generated 10/23/21 www.nexans.fr Page 9 / 9