

High Density Terminal Block RHD Modular terminal block base 8 with cutting

- High Density (2x more compact than Compax or RC8W solutions)
- Compliant with VDSL2 (30Mhz)
- Cable connection on rear side with IDC contacts
- Jumpers connection on front side with IDC or Wrapping contacts

| Application

The RHD product range is a new generation of terminal block with cutting that has been developed for the densification of cable connection from the active equipment like a DSLAM.

It can be used instead of Compax or RC8W terminal blocks with a double density.

It can be used in Main Distribution Frame MDF in Central Office or in active cabinet like FTTC deployments.



| Description

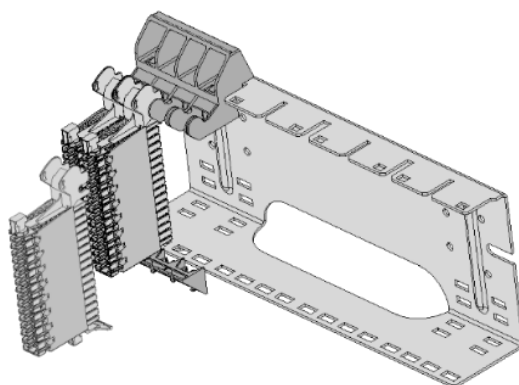
RHD consists in :

- A metallic U frame
- Connection block(s) base 16
- Vertical label holder(s) for each block

Each block can be opened with an angle of 120° to have an easy access to rear side.

Each block is composed with some terminal blocks 16 pairs with IDC contact on rear side for multipairs cable and IDC or Wrapping contact on front side to connect jumpers.

The version with Wrapping contacts is equipped with 2 more vertical label holders (RC8W type) on front side and is compliant with France Telecom / Orange specifications.

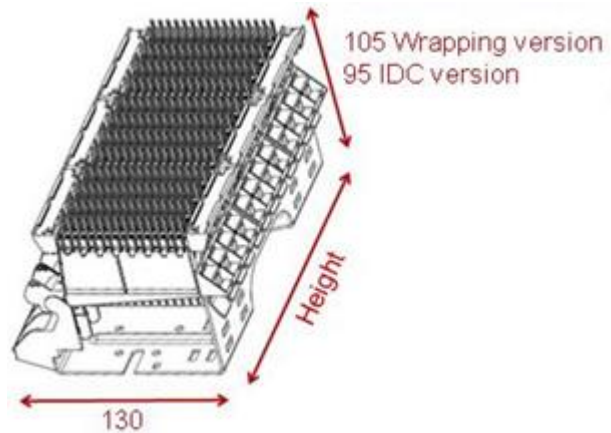


Specifications

Materials		
Plastics	Polycarbonate V0	
Contacts	Bronze with pure tin coating	
Connections	Wrapping/CAD (front side)	CAD (rear side)
Conductor diameter (single)	0,32 ... 0,6 mm	0,32 ... 0,6 mm
Insulation diameter (PE)	0,6 ... 1,3 mm	0,6 ... 1,3 mm
Electrical characteristics		
Through resistance	< 40 mΩ	
Insulation resistance	> 5.10 ³ MΩ @ 500V	
Dielectric strenght	Protected	= to the limit of the arrester
	No Protected	> 2 kV / 50 Hz
Shock wave	Tension	7,5 kV (impulse 1,2/50 μs)
	Current	5 kA (impulse 8/20 μs)
Crosstalk		
Compatible for all telecom services including VDSL2 (30Mhz)		
Environment		
Temperatures (CEI 60 068-2-14)	-25° ... +70°	
Temperature mini for installation	-5°C	
Humidity (CEI 60 068-2-30)	93 RH (Relative Humidity) @ +40°C	
Vibrations (CEI 60 068-2-6) 5 < f < 200 Hz / Amp 6mm peak to peak 10m/s ² / 6 cycles by axis	Δ Rt < 10 mΩ / no microbreak > 0,1μs	
ROHS & REACH	Compliant	

Sizes

RHD	Height (mm)	Composition
64 Pairs	63	Block 64P
96 Pairs	93	Block 96P
128 Pairs	125	2 Blocks 64P
192 Pairs	188	2 Blocks 96P 3 Blocks 64P
256 Pairs	250	4 Blocks 64P



Many other configurations with block(s) of 4, 5 and 6 terminal blocks 16 or 14 pairs on demand.

| Accessories

Cabling tools for IDCs OSA3

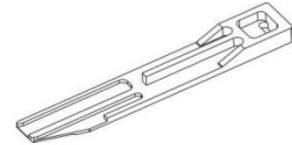
Tool Integrating wire insertion tool with cutting of the excess length and also a gripper for the extraction of the wire.

Tool compatible with all copper solutions with IDCs of Nexans Interface (TC80, T2010, RHD, TSRP, Compax, Cobrat, DTI).



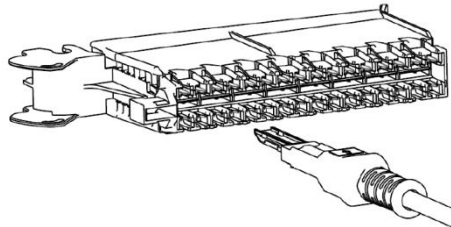
Cut plugs

Cut plugs for the RHD product range available in light grey.

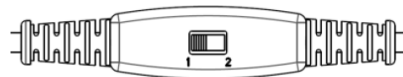


Test plugs and cords

Connection on front side for IDCs or Wrapping contacts. 1 pair plug with 4 points and cutting to make a test when front side is cabled. It allows operation test upstream and downstream in the network

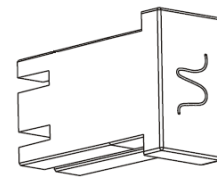


Some cords are offered with an inverter function that switches the test upstream or downstream of the breaking point.



2 pairs plug for Wrapping version

Light grey plug use to mask 2 pairs of Wrapping contacts on front side. For example, It is used to transform a 16 Pairs terminal block to 14 pairs.



Red caps for 1 pair of Wrapping contact

1 pair cap for Wrapping contacts compliant with RHD or RC8W designed to mark and/or protect users against electrical risk (110V).



| Available designs

RHD wiht IDC contacts on front side	
10140842	RHD 64 Pairs (1x64P)
10140843	RHD 96 Pairs (1x96P)
10140841	RHD 128 Pairs (2x64P)
10128414	RHD 192 Pairs (2x96P)
10114072	RHD 256 Pairs (4x64P)
RHD wiht Wrapping contacts on front side	
10203263	RHD 192 Pairs (2x96P)
10225156	RHD 192 Pairs (3x64P)
Accessories	
10077473	Cabling tool OSA3
10142176	100 Cut plug grey for 1 pair
10209365	Test cord 1 Pair / 4 points RHD with cutting and inversor length 3m
10234672	16 plugs 2 pairs for RHD Wrapping colour light grey
10211494	50 red caps for Wrapping contacts compatible RHD / RC8W



VDSL2 outdoor modular cabinet

Nexans Telecom Infrastructures
4, allée de l'Arche - CS70088 - 92070 Paris La Défense Cedex

contact.telecominfra@nexans.com


Nexans
www.nexans.com

The information given herein, including drawings, illustrations and schematics are intended for information purposes only. Although it is believed to be reliable, such information as well as all performance figures and other data contained in this document are generic, and must be confirmed in writing by Nexans Interface, before they become applicable to any tender, order or contract and binding on Nexans Interface.

Réglette HD-RHD-005-GB