

## CROS PLUS 2

Secure Optical Connection Box with Individual Management of Subscribers

- Individual management of the subscriber lines,
- Allows progressive cabling and therefore progressive network deployment,
- Secure and independent access to each of the user and carrier zones,
- Connector accessibility,
- Simple adaptation to various cabling structures and cabling configurations,
- Easy uncut tubes management for the mid-span version,
- A very robust design.

### Application :

The CROS PLUS II connection boxes are a perfect solution for optical fibre connection and distribution to residential, private, collective or professional subscribers. They were conceived for telecom carriers seeking to ensure network consistency and individual line control.

### Description :

CROS PLUS II is a secured optical connection box allowing capacities of 72 to 96 connectors and up to 288 splices, or 288 uncut coiled fibre storage.

The box is a metal two-compartment housing. Each of the two sections is secured by the means of a lock :

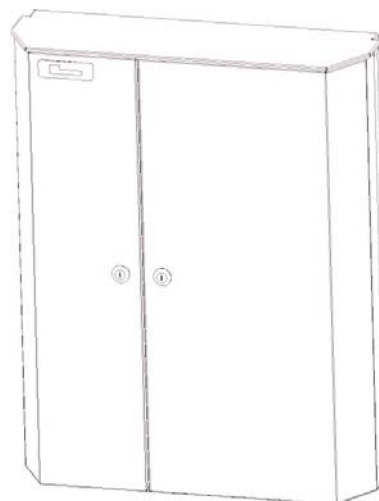
- the left one houses the subscriber access connector zone,
- the right one houses cable entries, splicing trays and coiled fibres.

### Dimension :

Height  
607 mm

Width  
481 mm

Depth  
150 mm



## ■ Technical description :

The CROS PLUS II box can be configured in accordance with the included Reference System.

It is delivered pre-equipped with :

- A patch panel,
- FiberArt™ or standard cassette splicing modules fitted with tube and pigtail affix accessories,
- One or several oval ports for mid span access and 2 to 6 auxiliary cable entries for a 19 mm maximum cable diameter,
- Top\* and bottom jumper or drop cable guiding devices,
- A two-key security system - one unique key for the carrier, one key for the subscriber.

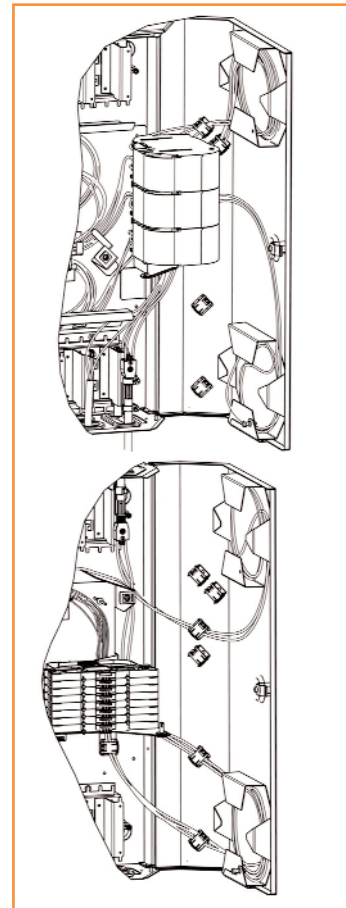
The cabinet has a grounding point in its top and bottom part.

The affix devices are not included in the basic configuration and must be ordered separately (see table below).

## ■ FiberArt Characteristics :

See technical data sheets  
DTS O FA1-OPT 001-GB  
and  
DTS O FA2-OPT 001-GB

*\*No top jumper entry for the Protection Index IP54 version.*



## ■ Characteristics :

Painting  
Housing - RAL9002

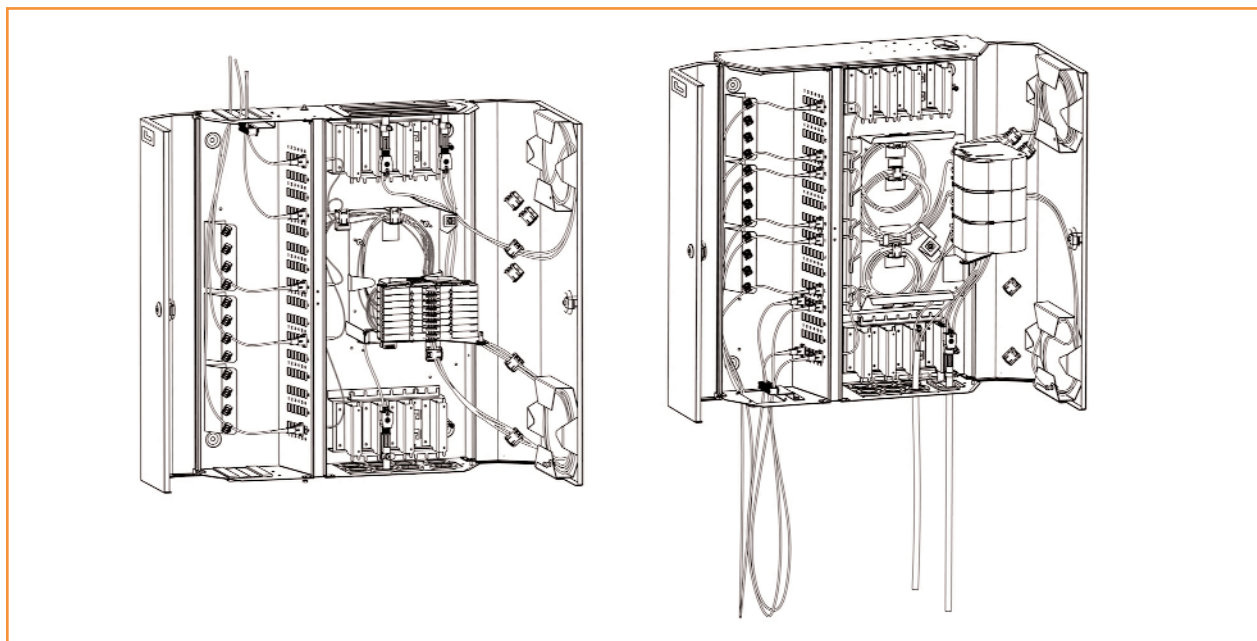
Tube length  
3 m (10 ft)

Pigtail diameter  
900 μm - 1,1 mm

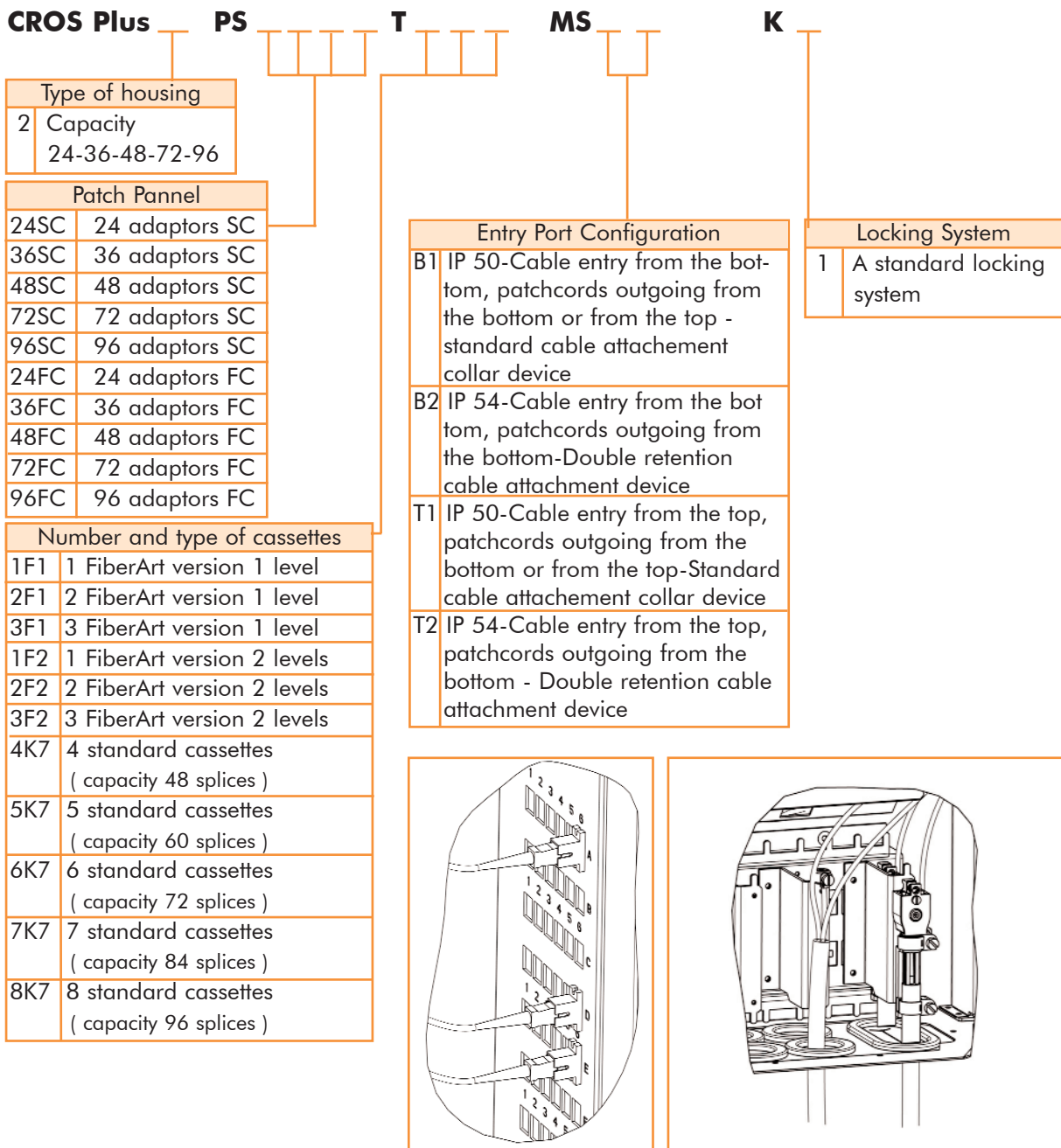
Protection index  
IP 50 or IP 54

Pigtail length  
2 m (9 ft)

Jumper diameter  
1,6 mm to 3 mm (0,06 in to 0.12 in.)



## Reference System :



## Accessories :

Code	Description
49280	Cable attachment device for up to 19mm-DEP (0.75 in.)
49262	Cable attachment device for 19 to 24mm-DFC (0.75 to 0.95 in.)
51573	A 10 position connecting bar
50825	A heat shrinkable watertight kit
44656	Heat shrink fusion splice protection. Package of 12
45632	FOCS mechanical splice protections. Package of 100

Accessories can be ordered separately. The attachment devices are not included in the basic configuration, and must be ordered separately.



35, rue Jean Jaurès BP 62 - 95872 BEZONS Cedex - France  
Tél : +33 (0)1 39 96 56 56 - Fax : +33 (0)1 39 96 56 53  
[www.nexans.com](http://www.nexans.com)